



Shenzhen Mooncell Electronics Co.,

Master Controller Series

MTB2000 Product Specifications

1 Product Overview

Product Introduction

Mooncell MTB2000 has its capability of receiving a variety of video signals, ultra high-definition 4KX2K image processing and sending capability; it can send the processed video to the led screen through the Ethernet Port and fiber port; with strong processing ability, super reliability and high cost performance.

Product Features

- *Varieties of input interface: 1X DP 1.2 Input; 1X HDMI2.0 Input; 1X Audio Input*
- *Varieties of Output Interface: 20X Gigabyte Ethernet Port Output; 4X Optical Fiber Bidirectional Duplex Transmission, 1X HDMI Loop Output.*
- *Multiple Communication Control Methods: 1X USB Port; 1X Serial Port; 1X 100 Megabyte Ethernet Port..*
- *It supports Ethernet Port Loop Dual Backup, Dual Master Controller Backup.*
- *It supports to have multiple preset resolutions; and the user defined resolution is supported.*
- *It is compatible with 30HZ, 50HZ, 60HZ, 120HZ and other Frame Rate Input.*
- *It supports the upper computer software to detect the operating parameters and status of the sending card.*
- *It supports to read the configurations back from where it was stored (configuration read back)*
- *It supports to detect the error rates of the gigabyte network.*

Application Scenarios

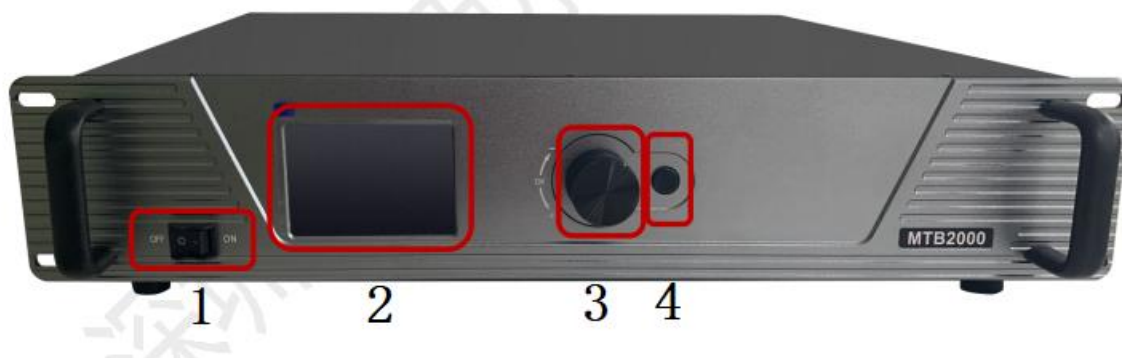
Mooncell MTB2000 is with powerful video processing and sending ability which has been widely used in various application scenarios such as: Stage, Conference, Event, Exhibition ,High-end Rental and Small Pixel Pitch Led Displays.

2Product Parameters

Basic Parameters

<i>Loading Capacity</i>	<i>1 Network Port</i>	<i>650 Thousand Pixels</i>
	<i>Entire Unit</i>	<i>10.04 Million Pixels</i>
<i>Loading Range</i>	<i>Width</i>	<i>128—4096 Pixels</i>
	<i>Height</i>	<i>64—4096 Pixels</i>
	<i>Width /entire unit</i>	<i>128-7680 pixels</i>
	<i>Height/entire unit</i>	<i>64-7680 pixels</i>
<i>Shift Range</i>	<i>Width</i>	<i>0—7679 Pixels</i>
	<i>Height</i>	<i>0—7679 Pixels</i>

Hardware Introduction

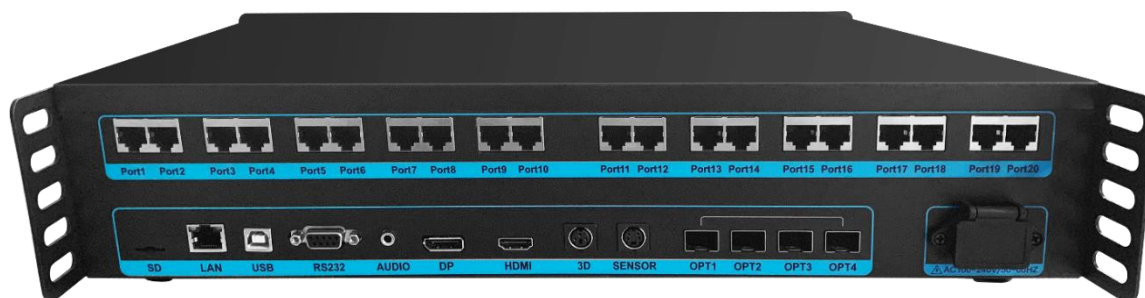


Front Panel

Front Panel Illustration

Front Panel Illustration		
#	Name	Illustration
1	ON/OFF	Power On/Off for Master Controller
2	LCD Indicator	To show the current status of the device and to set the menu item parameters
3	Rotating Knob	When it's in the Main Interface, Press the Knob to enter the Menu Operation Interface.
		When in the Menu Operation Interface, rotate the knob to select the menu, press the knob to select the current menu or enter sub-menu
4	ESC	Exit the current menu or operation.

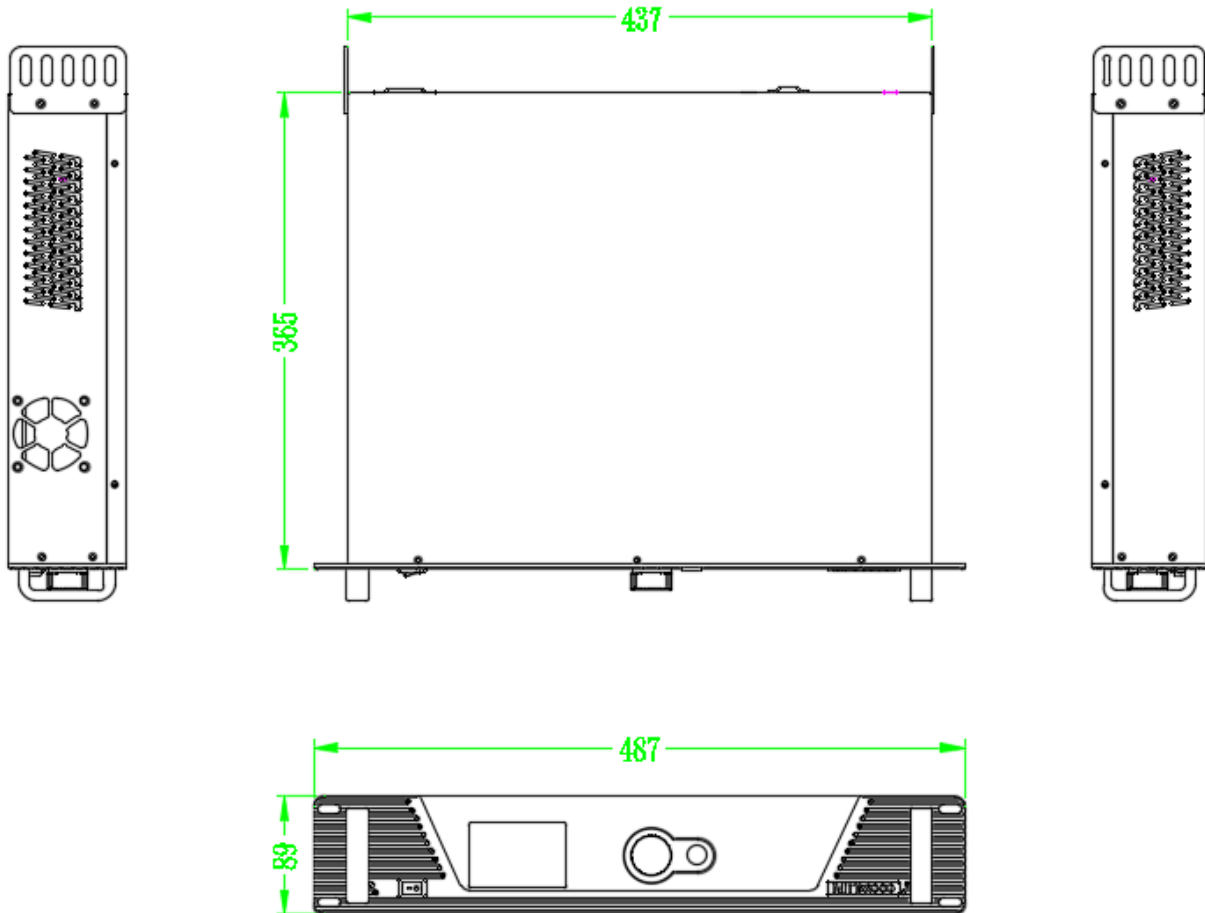
Backside Panel



Backside Panel Illustration		
Input Interface		
Interface	QTY	Illustration
AUDIO	1	3.5mm Audio Input Interface
DP1.2	1	The maximum resolution 3840x2160@60Hz, downwards compatible. The maximum width of the graphics card is 7680, and the maximum height is 7680.
HDMI2.0	1	The maximum resolution 3840x2160@60Hz, downwards compatible. The maximum width of the graphics card is 7680, and the maximum height is 7680.
OUTPUT Interface		
Interface	QTY	Illustration

Ethernet Port	20	20 x Gigabyte Ethernet Port Output, The loading capacity could reach up to 10.04 million pixels. The maximum loading capacity for 1 single network port: When the input source is 8 bit then its gonna be 650 thousand pixels.
Optical Fiber	4	10G Optical Fiber Interface when it's for output end: OPT1、OPT2 are the main outputs; OPT3、OPT4 are the subsidiary outputs: When it's for input end: OPT1、OPT2 are main inputs; OPT3、OPT4 are subsidiary inputs;
Control Interface		
Interface	QTY	Illustration
USB (square)	1	to connect to the PC end
RS232	1	1x DB9 interface to connect the central control devices.
LAN	1	100M megabyte Interface for Local Area Network Communication
Extension Ports		
SD	1	Connect the SD Card/Saving the parameters/ Retrieve the parameters from the SD Card when the device is replaced
3D	1	The reserved interface(to connected the 3D Transmitter,it needs to be customized according to the requirements)
SENSOR	1	To connect the light sensor to get the automatic light adjustment function
Power Interface		
Interface	QTY	Illustration
Power Port	1	AC-100-240V-50/60HZ AC Power Connector

Dimensions



3 Product Specifications

Specifications

<i>Electric Parameters</i>	<i>Input Voltage</i>	<i>AC-100-240V-50/60HZ</i>
	<i>Rated Power</i>	<i>70W</i>
<i>Operating Environment</i>	<i>Operating Temperature</i>	<i>-20 °C - 70 °C</i>
	<i>Operating Humidity</i>	<i>10%RH-90%RH No Solidification</i>
<i>Dimensions(Device)</i>	<i>487mmX365mmX89mm(Length x Width x Height)</i>	
<i>Dimensions (Carton)</i>	<i>565 ×445 ×185mm</i>	
<i>Net Weight</i>	<i>6.2Kg</i>	
<i>Packaging</i>	<i>1 x MTB2000. Peripherals: 1x USB Cable, 1x HDMI Cable, 1x DP Cable. 1x Certificate</i>	

Precautions

1. *High voltage danger: The working voltage of this product is AC -100V~240V.*
2. *It is forbidden to immerse conductive objects such as liquids and metal fragments into the equipment to avoid safety accidents.*
3. *Please use the equipment in a dry and clean environment.*