
Multimedia Player Series



Mooncell MB2 Specification

Shenzhen Mooncell Electronics

File Version: V1.0
File Released Date: 2019-07-31
Editor: Mooncell Nigel

Contents

Product Overview.....	1
Product Introduction.....	1.1
Product Features.....	1.2
Product Application Scenarios.....	1.3
Introduction to the Product Function.....	2
Performance.....	2.1
Audio&Video Performance.....	2.2
Terminal Management.....	2.3
Product Parameters.....	3
Basic Parameters.....	3.1
Hardware Introduction.....	3.2
Front-Side Panel.....	3.3
Indicator Introduction.....	3.4
Back-Side Panel.....	3.5
Dimensions Introduction.....	3.6
Product Specs.....	4

Product Overview

Product Introduction:

MB2 Media Player features high performance 4 Core CPU + 4 Core GPU Chip Set and it's a combination of the Player with the Sending Card(Integration). Given that the Player has a very high performance of the video processing, and by contrast, the price of the MB2 Media Player is very competitive.

Product Features:

Android 7.1 OS supported.

Mobiles,IPad,LAN,PC are supported to control the programs & the led screens.

Multiple Led Screens are supported to be simultaneously controlled.

WIFI Connection & WIFI Hotpot Connection are supported.

Low Power Consumption, Low Heat Radiation, Stable & Reliable Performance and is suitable for wide temperature range.

Small Size & Light Weight with Easy Installation & Convenient Maintenance.

Application Scenarios(Applicable Fields):

It could be widely used at business display area(fields) such as : Fixed Installation LED Display, Intelligent Lamppost Led Display, Over-door Led Display,Vehicle-Mounted Led Display, Chain Stores Cluster Display Management, Led Electronic Whiteboard, Led Mirror(Mirror-like Led Display),Advertise Led Display, and the Led Display that does not need to be used with the PC(Offline Mode).

Introduction to Its Functions:

Product Performances:

It supports HD videos,Pictures/Images),TXT,Weather Info,Clock and a variety of programs.

It supports to have the multiple windows, the size & position of the windows could be set as you wish and the window overlay is supported.

LAN,WIFI,4G,etc.are supported.

Applications for Android and IOS are available.

PC, Mobile Phones and Pad are supported to be used to control and manage with the programs and its parameters.

The RS485 Sensor Interface could be supported to monitor the temperature,humidity,lightness and some other environmental situations (parameters).

The brightness of the led display could be automatically adjusted.

Using the Network Time Protocol (NTP) to synchronize the Time (To get the accurate Time).

It supports to have multiple displays to work simultaneously (synchronized).

It supports Monitor HDMI output so that it could be used as the Monitor output, or it could be also used for LED+LCD combined Networks.

It supports to use the USB Flash disk to update the programs, plug and play, you can also use the Ethernet to update and manage with the programs.

It supports to automatically adjust the brightness or set the schedule to have the

brightness automatically adjusted.

It supports to play the programs as in “player list” orders.

Through the Management System,you can have a cluster of settings for it's On/Off at a certain time.(Timer).

Audio & Video Performance:

<i>Programs Partition</i>	<i>The Programs Windows could be partitioned as you wish,and the same with the superposed windows.</i>
<i>Video Format</i>	<i>AVI,WMV,MPG,RM/RMVB,MOV,DAT,VOB,MP4,FLV,etc.</i>
<i>Audio Format</i>	<i>MPEG-1 Layer III, AAC,etc.</i>
<i>Image Format</i>	<i>BMP、JPG、PNG,etc.</i>
<i>TXT Format</i>	<i>TXT,RTF,WORD,etc.</i>
<i>TXT Display</i>	<i>Single-Line TXT,Static TXT,Multi-Line TXT</i>
<i>Image Partition</i>	<i>It supports Video,Image,Scrolling Caption,LOGO,Data and Time; the images could be partitioned as you wish.</i>
<i>OSD Supported</i>	<i>It supports 32bit True Color OSD,it could be displayed at any position, it supports the video ,image and TXT to be played together at the same time, the image or TXT could be superposed on the videos, it supports transparent,semi-transparent,opaque effects.</i>
<i>RTC(Real Time Clock)</i>	<i>Real Time Clock Display and Management</i>

Terminal Management:

<i>Network Communication</i>	<i>LAN/WIFI/4G</i>
<i>Programs Update</i>	<i>USB Flash Disk Plug and Play,Terminal Ethernet Management</i>
<i>Device Management</i>	<i>PC,Android,IOS and some other Smart Terminal Devices</i>
<i>Wireless Control</i>	<i>Brightness Real Time Adjustment,On/Off Display,System Parameters Settings,Programs Play Management,Wireless Sending the Programs</i>
<i>Brightness Automatically Adjustment</i>	<i>The brightness could be automatically adjusted based on the real time environmental situations or the set schedules.</i>
<i>Fixed(Set) Time Playing/Timing Playing</i>	<i>To play the programs as in “player</i>

	<i>list"orders.</i>
<i>Timing Switch On/Off</i>	<i>Through the Management System to get the centralized setting.</i>
<i>Management Software</i>	<i>The Application is supported to be used on any Android or IOS devices.</i>

Product Parameters:

<i>Performance Parameters</i>	<i>Processor:4Core CPU+4Core GPU Memory:1G DDR3 Flash Memory: 8G EMMC Resolution: 1080P Hard Decode Playing</i>
<i>Network Accesses</i>	<i>LAN,WIFI AP,STATION,4G Module</i>
<i>Processing Performance</i>	<i>The Network Port Loads 1.3m Pixels The Maximum Length:1920 Pixels The Maximum Height:1080 Pixels</i>
<i>Receiving Card Supported</i>	<i>Mooncell Receiving Cards</i>

Hardware Introduction:

Front-Side Panel:



Interface Introduction:

<i>Interface Name</i>	<i>Interface Introduction</i>
<i>DC 5V</i>	<i>Power Input Interface:5.5*2.5MM</i>
<i>AUDIO</i>	<i>1/8 " (3.5mm)TRS Audio Output</i>
<i>LAN</i>	<i>LAN Ethernet Access(100M Ethernet)</i>
<i>USB</i>	<i>USB Interface(2x),USB Flash Disk or some other devices could be connected to the USB Interface.</i>
<i>WIFI</i>	<i>WIFI Antenna Interface</i>
<i>4G</i>	<i>4G Antenna Interface(Optional)</i>

Indicator Introduction:

<i>Name</i>	<i>Indicator Specifications</i>
<i>4G</i>	<i>4G Indicator,While the 4G is connected,the 4G indicator will be long lasing on.</i>
<i>WIFI</i>	<i>WIFI Indicator,While the WIFI is connected, the WIFI indicator will be</i>

	<i>long lasting on.</i>
<i>PWR</i>	<i>Power Indicator, while the power is on, the indicator goes long lasting on.</i>
<i>SYS</i>	<i>System Indicator, while the system is properly running, the indicator goes flashing.</i>

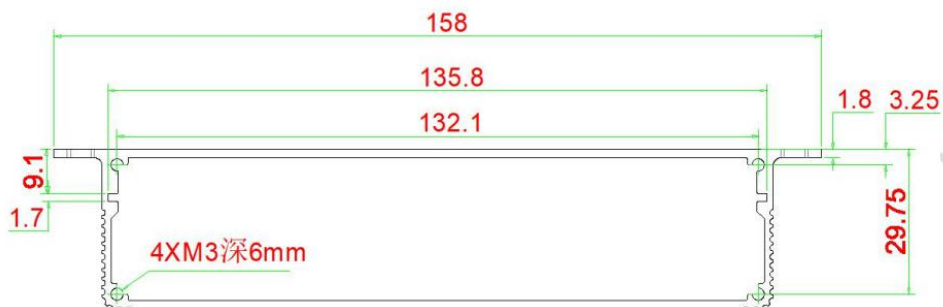
Back-Side Panel:

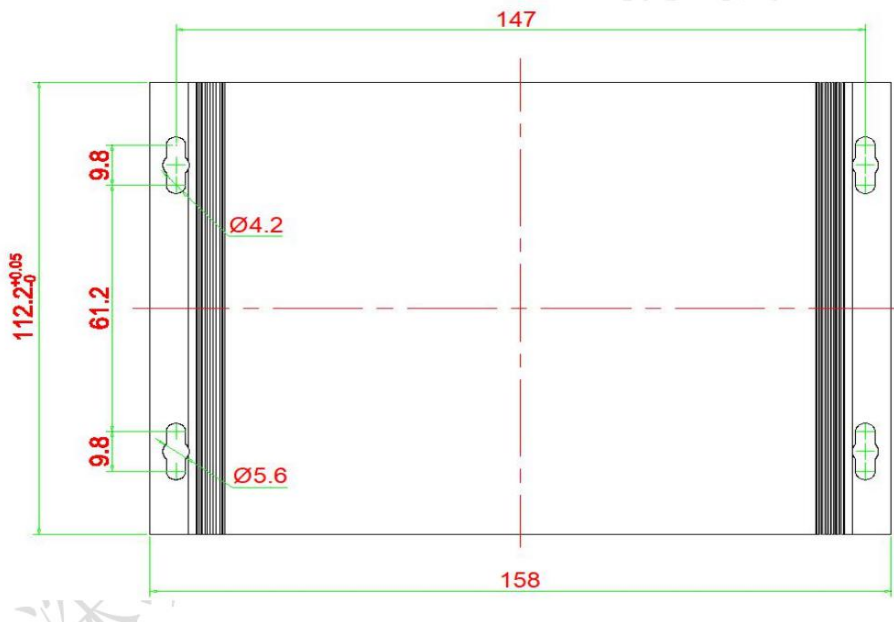


Interface Introduction:

<i>Name</i>	<i>Illustration</i>
<i>LEDOUT1</i>	<i>Gigabit Ethernet Port Transfer the signal to the receiving card</i>
<i>LEDOUT2</i>	<i>Gigabit Ethernet Port Transfer the signal to the receiving card</i>
<i>HDMI</i>	<i>HDMI Output</i>
<i>CONFIG</i>	<i>B Type USB interface to Set the Parameters of the LED Display</i>
<i>SENSOR</i>	<i>Light Sensor Interface</i>
<i>SIM</i>	<i>Micro SIM Card, 4G Mobile Phone Card</i>

Dimensions:Unit(mm)





Product Specs:

Parameters:	
<i>Electric Parameter</i>	<i>Input Voltage:5V/ Rated Power:6W</i>
<i>Operating Environment</i>	<i>Operating Temperature:-25 °C~75 °C Operating Humidity:0RH-95%RH,without condensation</i>
<i>Packaging Info</i>	<i>Packaging Dimensions(Length x Width x Height) MB2 Accessories List MB2 4G(Optional) Accessories List</i>
<i>5V Power Supply Adapter</i>	<i>Input Voltage: Alternating Voltage(AC)100-240V 50/60HZ Output Voltage:Direct Voltage(DC) 5V Interface:5.5*2.5MM</i>
<i>Product Dimensions</i>	<i>158mmX112.2mmX29.75mm</i>
<i>Product Weight</i>	<i>0.5KG</i>
<i>Enclosure Material</i>	<i>Aluminum Alloy</i>
<i>Certifications</i>	