



*Shenzhen Mooncell Electronics Co., Ltd*

## ***2IN1 Led Video Processor Series***

### *MVB8S Product Specifications*

# 1 Product Overview

## Product Introduction

MVB8S is an easy-to-operate and feature-rich device that specially developed for LED displays. It supports high-definition multiple-type interface input, integrates professional display control technology and powerful video processing capabilities, and it simplifies the scene environment to build a video processor. Using high-performance image processing chip; with advanced interlaced image adaptive processing technology and ultra-clear noise reduction engine, eliminating video image motion smearing and jagged phenomenon, the video image enhancement technology makes the image clearer and more detailed, rich in details, and full of colors , Image quality is stable

## Application Scenarios

It is suitable for many application scenarios such as small and medium-sized LED displays in shopping malls, hotels, exhibitions, TV studios, etc.



## 2. Introduction to its function

- *The loading capacity could reach up to 5.2 million pixels. The output resolution could be customized and the maximum 7680 pixels from the width, 3840 pixels from the height.*
- *4 Windows are able to be displayed simultaneous*
- *Freely Switching between the Audio and Video/ Adjusting the Volume*
- *Input Ports: : DVI\*1,HDMI\*2, DP\*1, VGA\*1, Audio\*1*
- *To save the template and use it.*
- *Seamlessly switching between multiple windows, seamless single layer switching.*
- *Timing to Switch the Signal Source*
- *Turn the screen to black with just one button*
- *Built in with online debugging function*
- *Plugging in the USB Flash to upgrade the firmware of the device*
- *Press to lock or unlock the device*

## 3 Product Parameters

### Basic Parameters

Loading Capacity	Single Ethernet Port	650 thousand pixels
	The entire unit	5.2 million pixels
The widest pixel	The entire unit	7680
The highest pixel	The entire unit	3840

### Hardware Introduction

#### Front Panel



Front Panel Illustration		
#	Button	Illustration
1	ON/OFF	Power On/Off
2	LCD	It shows the operation Menu
3	Rotating Knob	Rotate the knob to choose the menu and ESC

4	Input Source Switching Keys	DVI	DVI input/#1
		HDMI1	HDMI1 Input/#2
		HDMI2	HDMI2 Input /#3
		DP	DP Input/#6
		VGA	VGA Input/#7
		TEST	Test/#8
5	Functional Keys	Win	Image Layer Choosing/#4
		Part	Full & Partial Screen/ #5
		TEMPLATE	Multiple Windows Templates Shortcut Key
		SIZE	Adjust the size of the image/ #9
		FREEZE	Freeze/black the screen / #0
		MODE	Loading the templates shortcut key

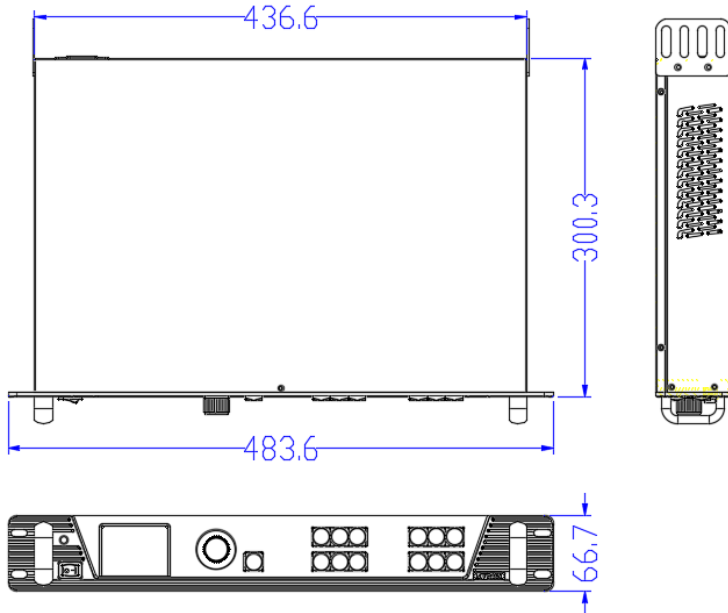
## Backside Panel



Input Ports			
#	Port Type	QTY	Illustration
3	DVI	1	1920x1080/60HZ、3840*540/60HZ and EDID Management
	HDMI1	1	1920x1080/60HZ、3840*1080/60HZ and EDID management
	HDMI2	1	1920x1080/60HZ、3840*1080/60HZ and EDID management
	DP	1	1920x1080/60HZ、3840*2160/60HZ and EDID management
	VGA	1	1920x1080/60HZ and EDID management
Output Ports			
#	Port Type	QTY	Illustration
5	Gigabyte Ethernet Port	8	Port Type: RJ45 Transferring Speed: 1000BaseTX Supported Receiver Card: Mooncell All Series Receiver Card and Multifunctional Card
Audio Port			
#	Port Type	QTY	Illustration
4	AUDIO IN	1	3.5mm Audio Input
	AUDIO OUT	1	3.5mm Audio Output
处理器控制接口			
#	Port Type	QTY	Illustration
2	UPDATE	1	USB Upgrading Port
	USB	1	Sending CARD Debugging Port, to get it connected so as to use the AutoLED

			software
	LAN1	1	100M megabyte communication port (reserved port)
	RS232	1	Serial Port
<b>Function Extension Port</b>			
<b>#</b>	<b>Port Type</b>	<b>QTY</b>	<b>Illustration</b>
1	SD Card	1	Save the configuration files of the screen
<b>Power Port</b>			
<b>#</b>	<b>Port Type</b>	<b>QTY</b>	<b>Illustration</b>
6	Power Port	1	AC Power Input Port :100V~240V

## Dimensions:



## 4 Product Specifications



## Specifications

<i>Electric Parameters</i>	<i>Input Voltage</i>	<i>AC-100-240V-50/60HZ</i>
	<i>Rated Power</i>	<i>25W</i>
<i>Operating Environment</i>	<i>Operating Temperature</i>	<i>0 °C - 45 °C</i>
	<i>Operating Humidity</i>	<i>10%RH-80%RH No Solidification</i>
<i>Dimensions</i>	<i>483.5 x 300.3 x 66.7 mm( Length x Width x Height)</i>	
<i>Net Weight</i>	<i>5KG</i>	
<i>Packaging Info</i>	<i>Peripherals</i>	<i>1 ×Certificate、1 ×DP Cable、1 ×HDMI Cable、1 ×DVI Cable、1 ×USB2.0 Cable、1 ×Power Cord</i>
	<i>Carton</i>	<i>515 ×130 ×380mm</i>

## Precautions

1. *High voltage danger: The working voltage of this product is AC -100V~240V.*
2. *It is forbidden to immerse conductive objects such as liquids and metal fragments into the equipment to avoid safety accidents.*
3. *Please use the equipment in a dry and clean environment.*